

(802500) ARB ALTITUDE ROOF TOP TENT OWNER'S MANUAL



THIS DOCUMENT IS TO BE GIVEN TO OWNER

PLEASE NOTE THE FOLLOWING:

- ◆ Vehicle accessories which are not properly fitted can be dangerous.
- ◆ Please read all instructions carefully prior to using, and comply with the instructions at all times
- ◆ If in any doubt please contact your nearest ARB state office or the stockist from whom it was purchased.
- ◆ Refer to individual Fitting Instructions for fitment to your vehicle
- ◆ This product or its fixing must not be modified in any way.
- ◆ The installation of this product may require the use of specialized tools and/or techniques
- ◆ It is recommended that this product is only installed by trained personnel
- ◆ Lifting of the tent should be at the f corners from the base or by lifting at the ladder support rails.
DO NOT lift the tent by its top roof bars.
- ◆ During installation, it is the duty of the installer to check correct operation/clearances of all components
- ◆ Work safely at all times
- ◆ Unless otherwise instructed, tighten all fasteners to specified torque
- ◆ Check bolt torque after 500km & at regular service intervals
- ◆ It is recommended that the tent is opened and tested prior to installation and the Ladder and Mattress removed to facilitate installation.

ARB 4x4 ACCESSORIES

Corporate Head Office

42-44 Garden St
Kilsyth, Victoria
AUSTRALIA 3137

Tel: +61 (3) 9761 6622
Fax: +61 (3) 9761 6807

Australian enquiries
North & South American enquiries
Other international enquiries

sales@arb.com.au
sales@arbusa.com
exports@arb.com.au

www.arb.com.au

!! SAFETY WARNINGS !!

- Always load roof racks and roof bars in accordance with their provided specifications when fitting this product
- Ensure you observe all warning and advice labels as fitted inside the tent's canvas door entry ways and the labels attached to the canvas bag inside that contains electrical components.
- **DO NOT** drive with tent side locks unlocked. These **MUST** be Key locked while driving.
- This product weighs 107kg (with ladder stored in roof) when fitted to a roof rack or roof bar accessories.
- To avoid damage to tent, vehicle or surrounds, be aware of the additional height of the vehicle when the tent is installed and make allowances for this additional height (370mm closed and 1337mm open)
- **The roof bars on top of the tent are rated to 20Kg payload only. DO NOT exceed this payload.** If the tent does not open it is likely to be because the payload has been exceeded. (Maximum weight of tent with payload is 127kg).
- During installation, be aware of clearances of all components (including but not exclusive of vehicle aerials, Tailgate spoilers, protrusions etc.) to avoid damage to either vehicle or Tent.
- Roof Bar payload must be evenly distributed over the loading area with the centre of gravity kept as low as possible.
- Always observe local safety laws for long / overhanging loads. **DO NOT** mount the tent with any extremity overhang of the tent in front or rearward of the vehicle's extremities. The width of the tent **MUST** not exceed the width of the vehicle across the side external wing mirrors.
- Always tie down loads with quality straps. Check and retighten loads during the journey. **DO NOT use elastic straps.** These are not suitable for securing loads on this product.
- Large objects such as surfboards should preferably be stacked, instead of laid side by side. This reduces the aerodynamic lifting force. They should be strapped both front and rear.
- For carrying special items such as bicycles, skis and kayaks, specially designed carrier accessories are recommended to be used and fitted to the tent's roof bars.
- With the tent fitted, this will affect the vehicles cross wind sensitivity, cornering and braking characteristics. **Driving techniques should be altered to suit, by reducing corner speed and increasing braking distance and by driving at a speed safely depending on your control of the vehicle's handling conditions.**
- **DO NOT** make any modifications to locks, roof bars on the tent or any tent mounting systems.
- ARB recommends only fitting ARB approved accessories, designed for your tent.
- When occupying the tent inside, ensure the red illuminated switch on top of the canvas bag is switched off so that the outside roof lowering buttons cannot be operated with occupants inside.
- **DO NOT** operate tent raising and lowering functions with occupants inside the tent.
- Observe pinch point warning labels on the scissor lift mechanisms at both the front and rear of the tent.
- Vehicle is to be parked on a flat, level surface when using the tent.
- Ensure ladder leg adjustment clamps are adjusted and tested to be suitable to the occupant's weight before ascending the ladder.

- Ensure canvas does not get caught in scissor mechanisms whilst opening or closing.
- **DO NOT** use Roof Top Tent in strong winds as damage may occur.
- Keep all flame and heat sources away from the tent fabric
- This tent is not fireproof. The fabric will burn if left in continuous contact with any flame source. The application of any foreign substance to the tent fabric may create a safety hazard.
- **DO NOT** operate any device which burns fuel inside the tent. Combustion produces carbon monoxide which can kill in minutes. Carbon Monoxide is a poison that cannot be seen or smelt.
- **NEVER** place a stove, campfire or any other flame source in or near the tent. **NEVER** use, light or refuel any stove, lantern, heater or other heat source inside the tent. **NEVER** store flammable liquids in a tent. **NEVER** use candles, matches or other open flames in or near the tent. **NEVER** smoke in the tent. Keep exits clear. Death and/or serious burns are possible.
- Build fires downwind and at a safe distance of at least 10 feet (3 metres) away from the tent. Extinguish campfires before leaving a campsite or going to sleep.
- Maintain adequate ventilation inside the tent at all times.
- Carefully consider the possibility of falling rocks or tree limbs, lightning strikes, flash floods, avalanches, strong winds and other objective hazards when choosing a campsite to reduce the risk of loss or injury to the tent or occupants.
- Anchor your tent and or vehicle properly at all times to reduce the risk of loss or injury to the tent or occupants.
- Any accessory vehicle specific ARB mounting kit available for use with this product must be used only for the vehicle/s specified for that product.

GENERAL CARE AND MAINTENANCE

Your Roof Top Tent has been rigorously tested. To keep your Rooftop Tent in optimal condition it is important to follow the Safety Warnings and the Care and Maintenance recommendations:

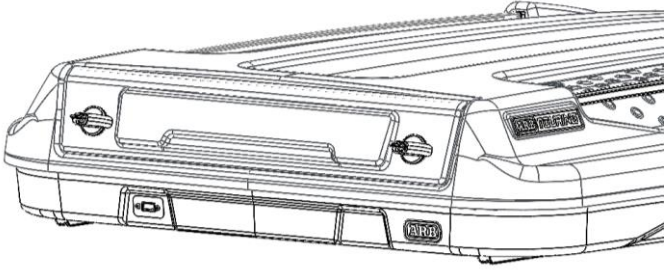
PRECONDITIONING OF CANVAS

- BEFORE USE ON CAMPING, to ensure the waterproofness, raise the tent and thoroughly soak the exterior canvas with water and allow to dry completely. Repeat this process twice more (**3 times in total**) to ensure seams are waterproof.

CARE

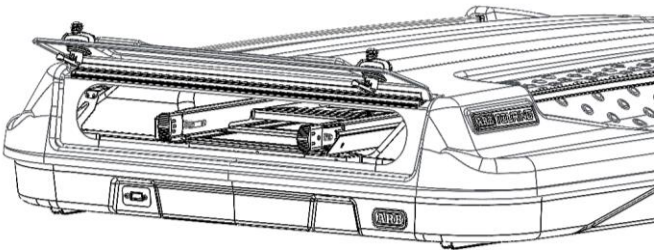
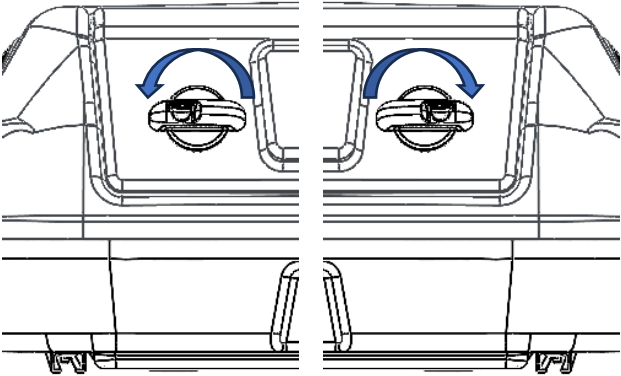
- As part of any pre-trip preparation, or if remaining permanently fitted, it is recommended that a thorough visual inspection is carried out regularly, making sure all bolts and other components are torqued to the correct specification. Tighten and Replace any worn or damaged components as necessary.
- Clean the canvas with cold water and a soft bristle brush or sponge only. DO NOT use soaps or detergent as this may damage the coatings on the fabric. Pay particular attention to remove dirt, bird droppings and vegetation as these can cause the canvas to rot when packed away.
- Zippers should be cleaned regularly with a soft brush and wiping with a damp cloth. Zippers that become stiff can be lubricated periodically with commercially available zipper lubricant or paraffin wax.
- It is not recommended to clean using a pressure washer as damage may occur and affect the waterproofness of the canvas.
- **Prevent mildew by packing the Rooftop Tent “DRY”**. Opening the flaps part way to increase ventilation will reduce condensation and assist with drying.
- If the Rooftop Tent has been packed up wet, at the first available opportunity open the tent and allow to dry completely to prevent canvas mildew and rotting.
- **DO NOT** spray the materials with insect / pesticide aerosol sprays or non-compatible water repellent.
- **DO NOT** expose any part of the Rooftop Tent to petrol, oil, solvents or similar.
- Clean areas other than canvas **ONLY** with water and mild detergent.
- Canvas is designed to fade over time along with showing crease marks from folding. This will in no way impact the quality of durability of the Rooftop Tent
- Although the lifting mechanism is maintenance free, the actuator shafts should be cleaned with a damp cloth, occasional use of a dry lubricant on the scissor guidance tracks will assist in quiet operation. **DO NOT** use any form of lubricant in the hinging joints of the lifting mechanism.
- When closing, ensure all the folding stays are pulling the canvas inwards into the tent. If they aren't, raise the tent and lower again making sure they are folding inwards. Please be particularly aware of this in strong wind conditions..
- Store your Roof Top Tent in a dry place out of direct sunlight.

OPENING THE ROOF TOP TENT

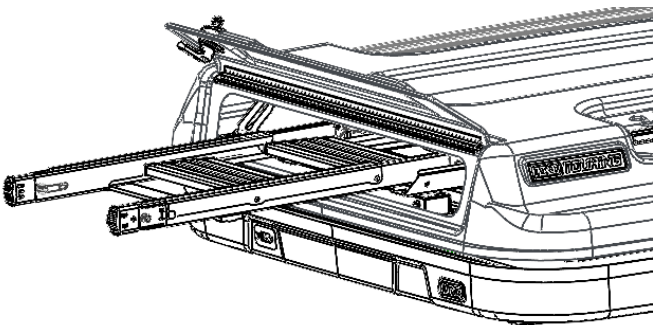


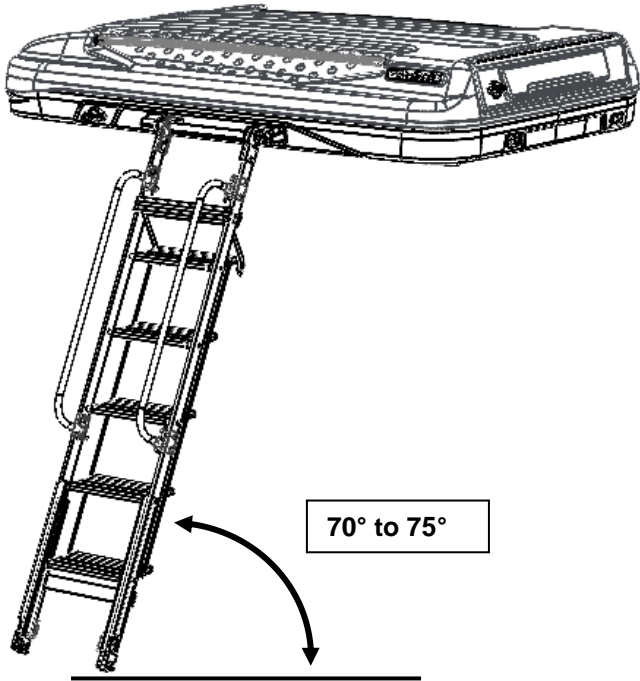
1. At the Rear, unlock the D-Handles using the key provided and rotate until the door springs open.

- LH – Counter Clockwise
- RH - Clockwise



2. Open the rear door and pull the Ladder out of the Roof Top Tent. Close the rear door.





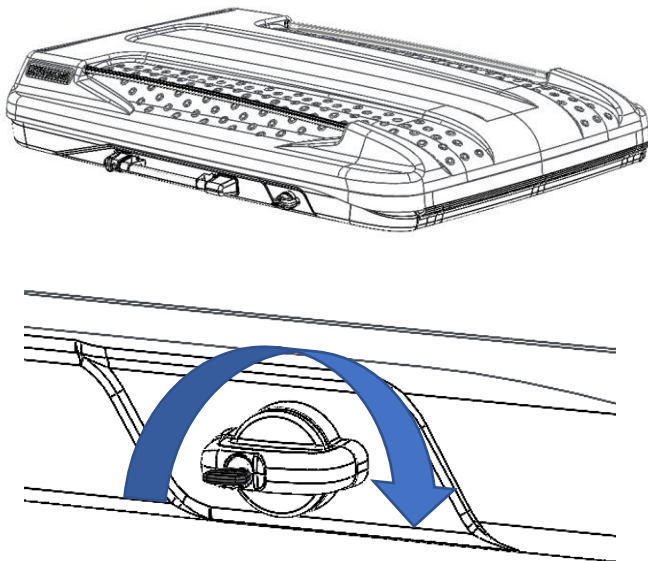
- Hook the ladder to the Ladder rail handles by resting the hooks over the rail and lifting the bottom of the ladder until it drops over the rail.

Note:-

Depending upon the height of the vehicle, the ladder may be too upright. The extension legs should be used to adjust the height of the ladder to achieve the correct angle.

See Detailed Instruction for ladder at the end of this manual.

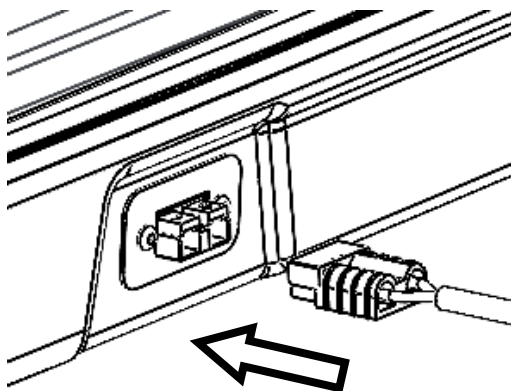
Note:- Additional Ladder Extension available for extra tall vehicles.



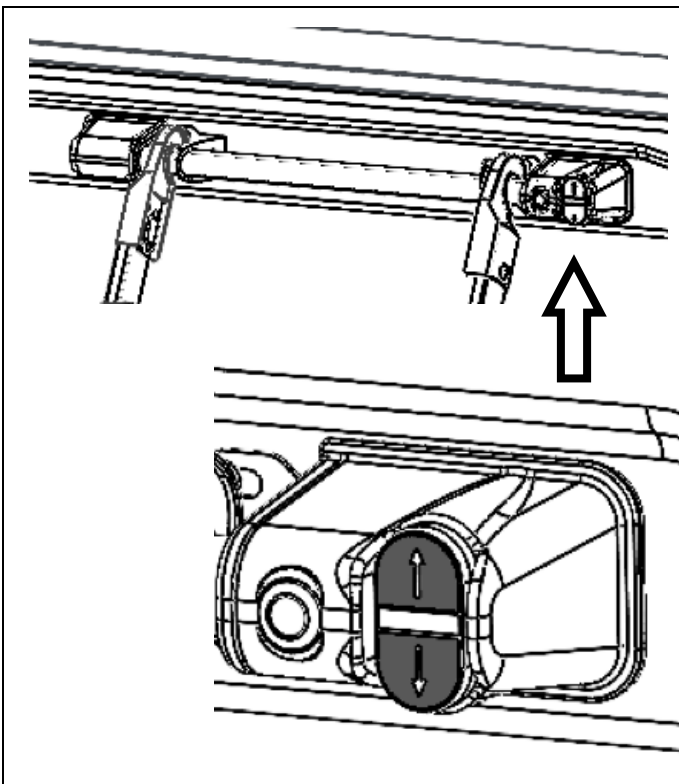
- Unlock the D-Handles on both sides of the Roof Top Tent with the keys provided.

Rotate Clockwise on both sides to open.

WHEN PACKING UP AND BEFORE DRIVING, THE TENT MUST BE CLOSED AND KEY LOCKED CLOSED

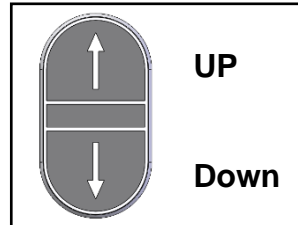


- Supply 12V power supply via Anderson plug.

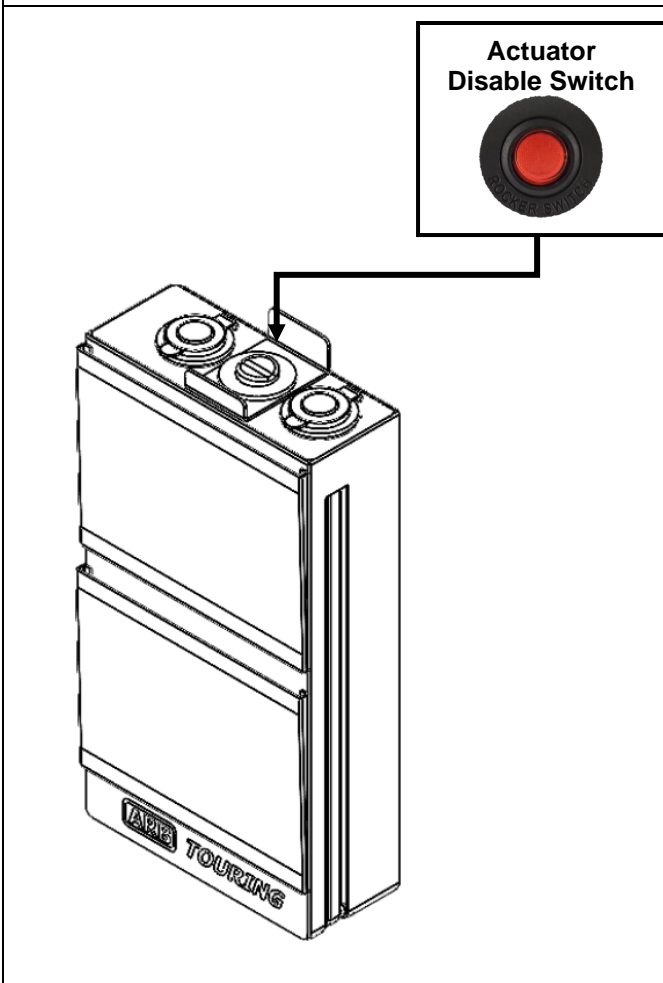


6. To open, press UP arrow firmly once. The Tent will start opening and will stop once fully opened.

There is no need to keep pushing the button as it will open without further input.



Press either button once to STOP mid-travel

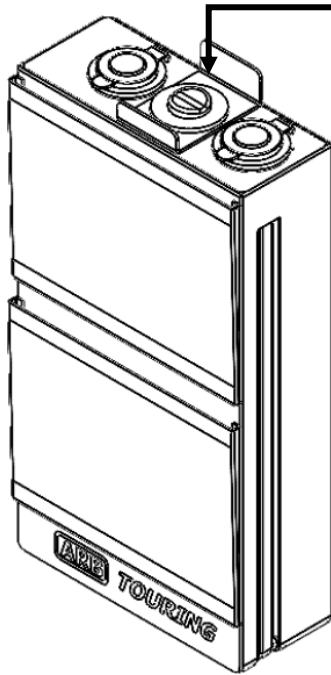


7. Once Tent is fully raised, enter and flick the Actuator Disable Switch on the Canvas bag so the Red light goes out. This will disable the scissor mechanism to prevent unintended operation.

Should Interior Light and Power not be working, flick Red Switch so RED light comes on and press "UP" Button the outside of the Tent. This will enable power to all interior features.

Ensure this button is clear of any obstruction in raising and lowering the tent as it if it is turned off it will isolate power to the scissor lift systems.

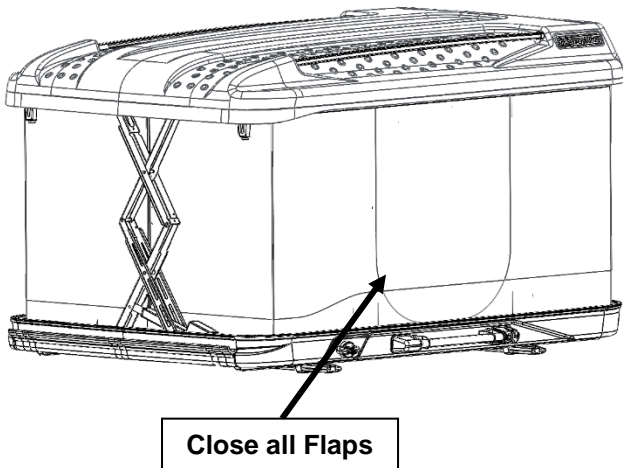
CLOSING THE ROOF TOP TENT



1. Flick the Actuator Disable Switch on the Canvas bag so the Red light turns on. This will enable the scissor mechanism to move.

NOTE:-

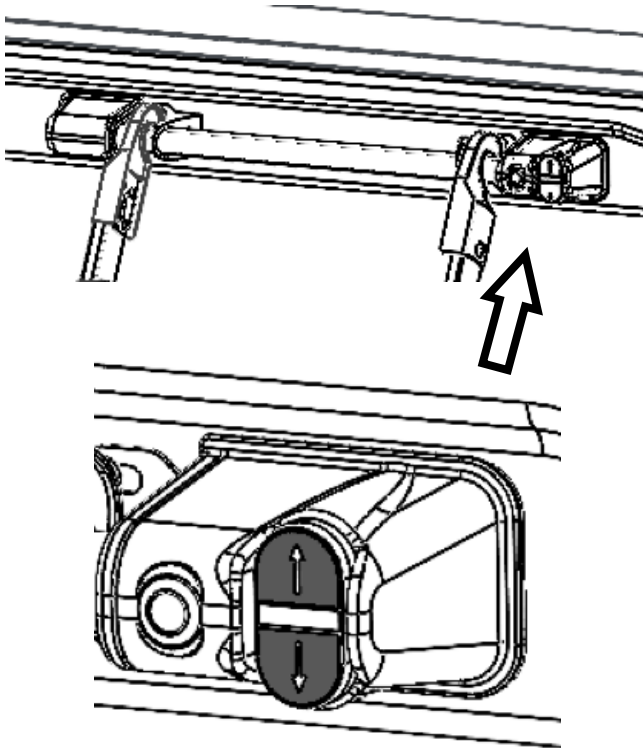
All interior power is disabled once “Down” button is pushed. It will only come on again once “Up” arrow is pressed.



2. Ensure all Flaps (both Door and internal Windows) are closed. This will enable the self-folding mechanism to operate correctly.

NOTE:-

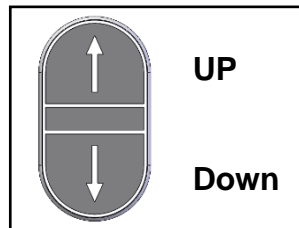
Make sure any bedding is laid flat and away from edges of mattress. Any pillows or bulky items are to be placed in overhead nets or removed from Tent to ensure proper closing.



- To close, push DOWN arrow firmly once. The Tent will begin closing and stop when fully closed.
There is no need to keep pushing the button as it will close without further input.

NOTE:-

In windy conditions, check the tent whilst closing to make sure the sides are folding inwards. If any side is folding outwards, STOP the actuation and raise tent again. Once raised, lower and gently push the side until it begins to fold inwards.

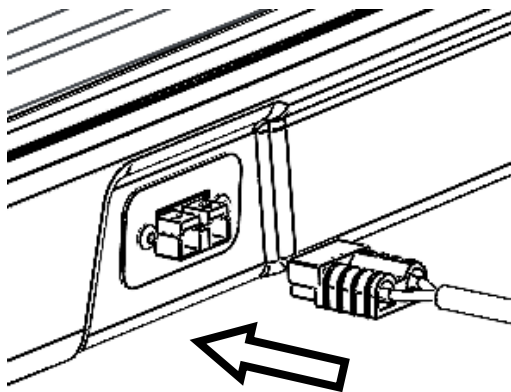


Press either button once to STOP

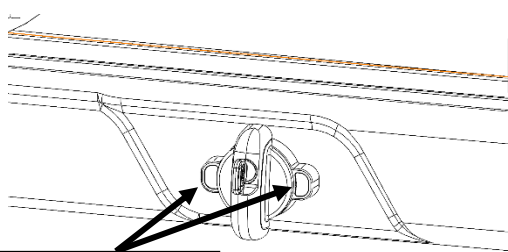
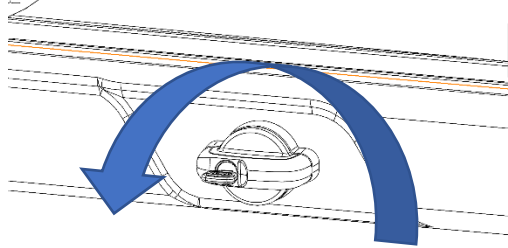
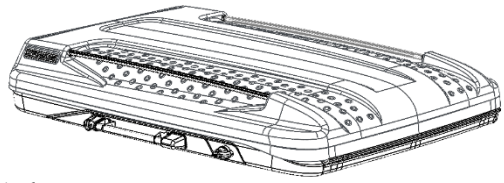


WARNING:-

Keep clear of the tent as it is closing as pinch points may cause serious injury.



- Remove 12V power supply via Anderson plug.



RED
INDICATORS

5. Rotate both D-Handles counter-clockwise to close. Make sure the RED indicators are fully covered.
6. Lock the D-Handle locks on both sides of the Tent with the keys.

NOTE:-

If D-Handles will not close, raise Tent and ensure any items inside are laid flat or removed.

WHEN PACKING UP AND BEFORE DRIVING, THE TENT MUST BE CLOSED AND KEY LOCKED

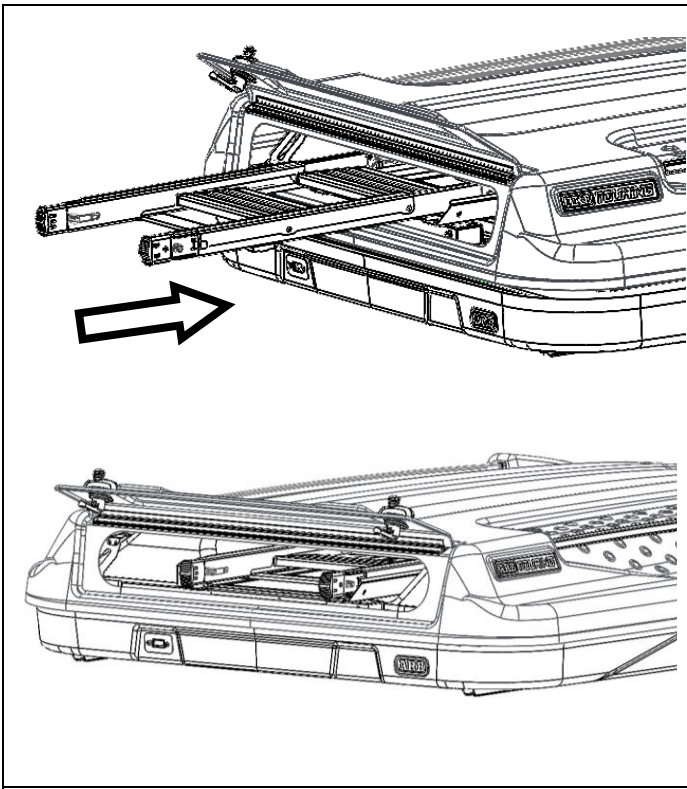


7. Fold Handles and Treads into closed positions, raise both extension feet (if extended) and fold up steps.
8. Unhook the ladder from the Ladder Rail handles by rotating the ladder whilst lifting until the ladder is clear of the rail.

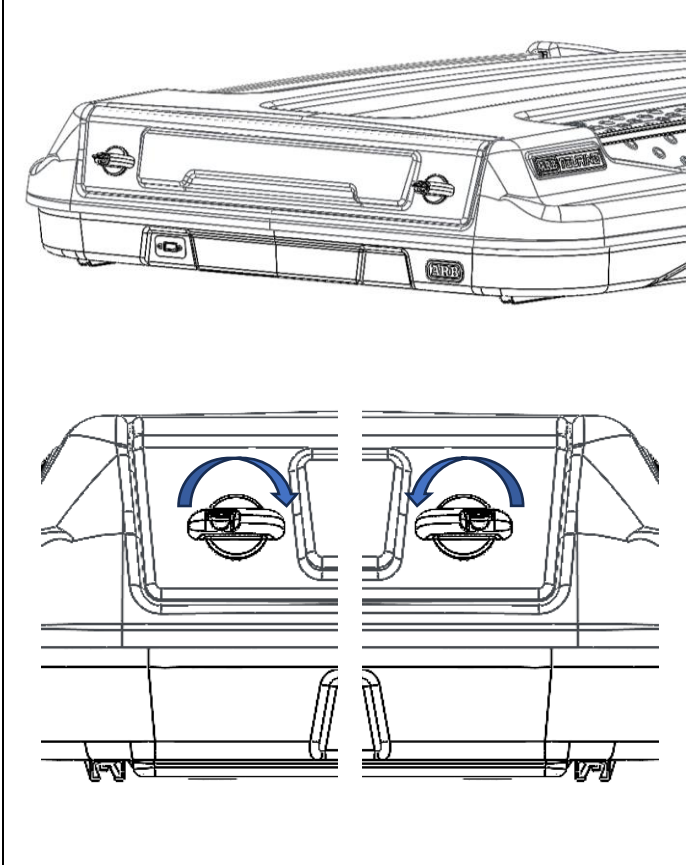
NOTE:-

Refer to “Setting Up The Ladder” section for instruction on opening and closing the ladder

Ensure the ladder is clean and dry before storing.



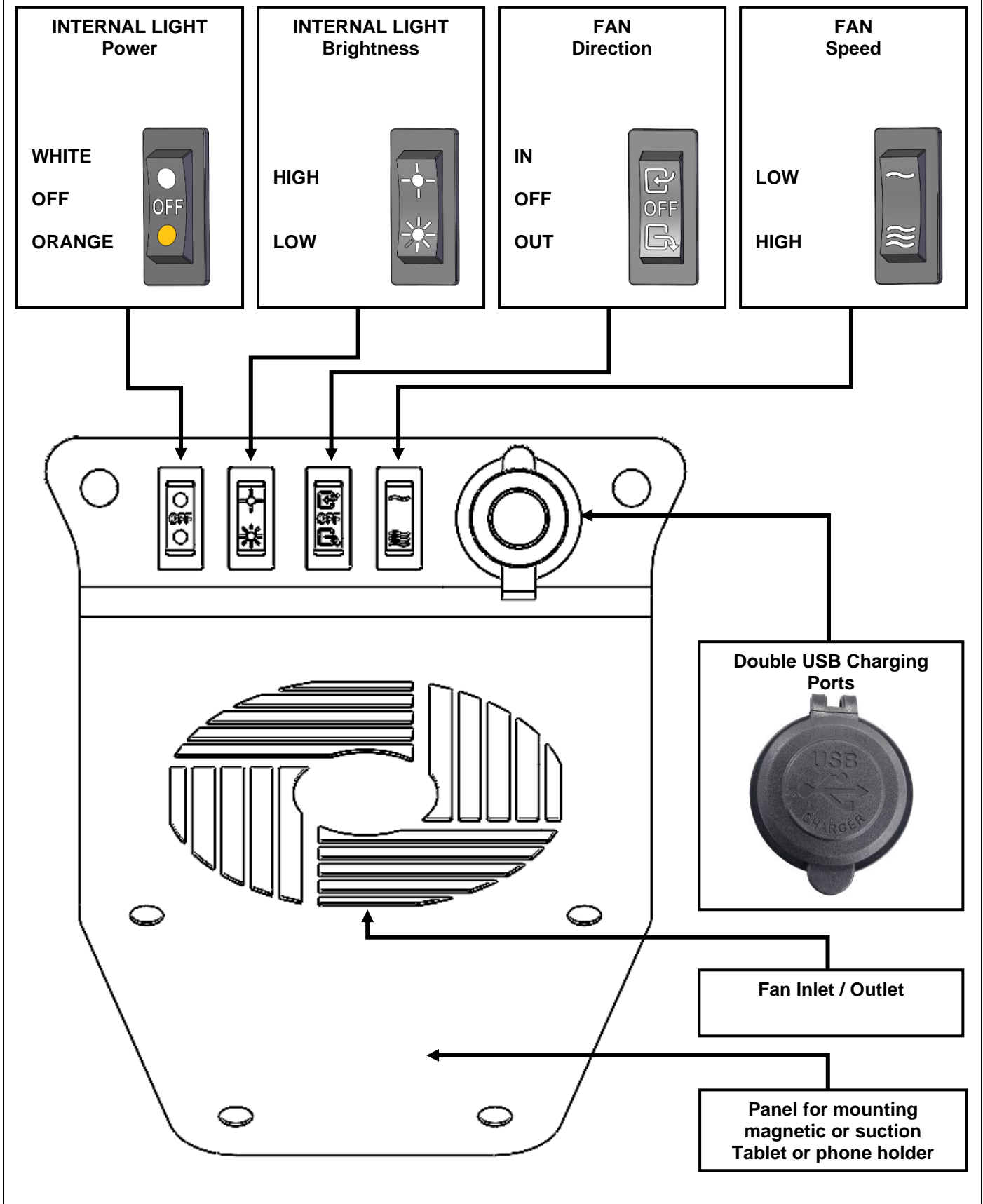
9. Open the rear door and slide the ladder in until it is completely in the roof of the Tent.



10. Close the rear door and rotate the D-Handles closed. **Lock using the key provided.**

ENSURE LOCKS ARE KEY LOCKED BEFORE DRIVING.

ROOF SWITCH PANEL



CANVAS CONTROL BAG

12v Power Socket



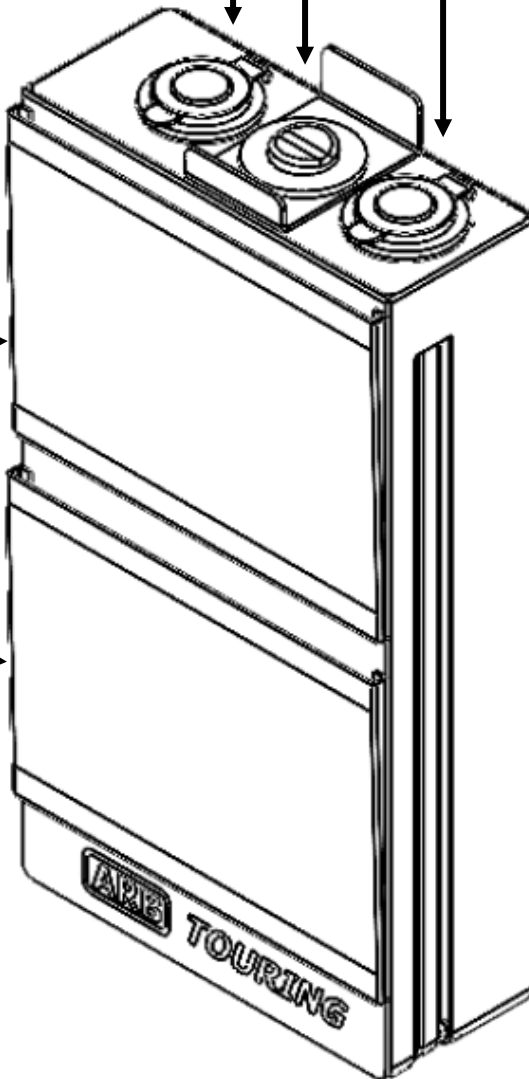
RED Actuator Disable Switch



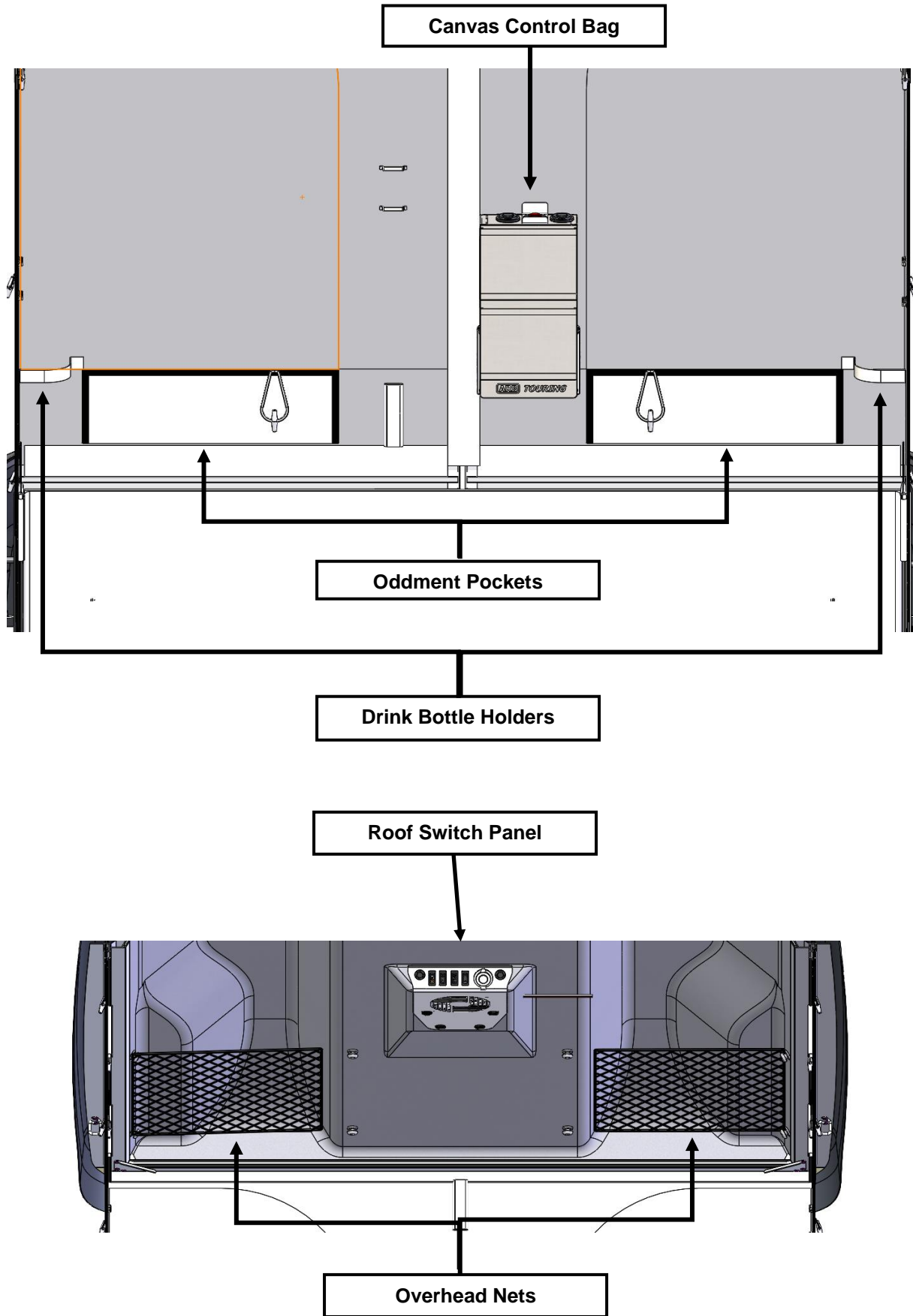
Dual USB Charging Ports



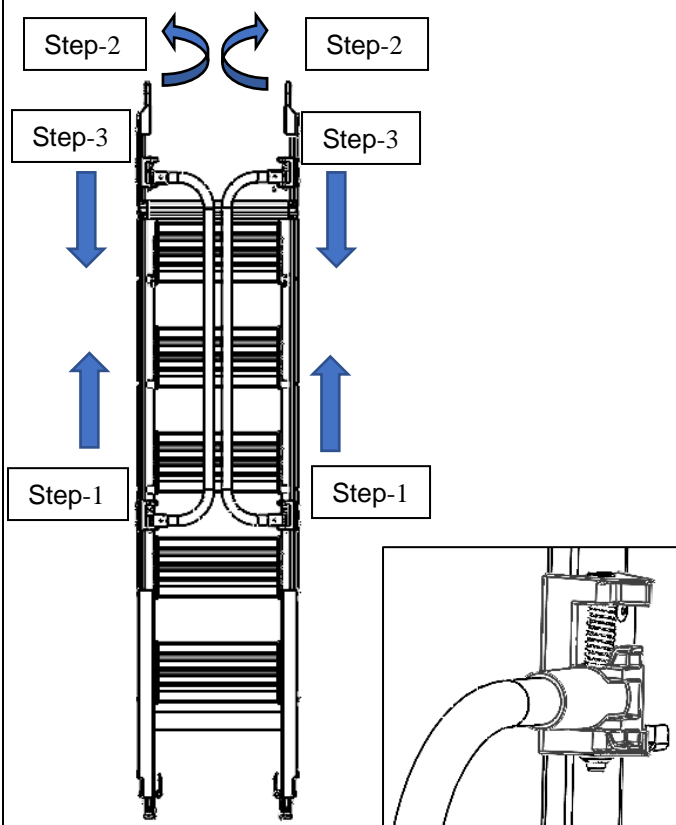
Oddment / Phone Pockets



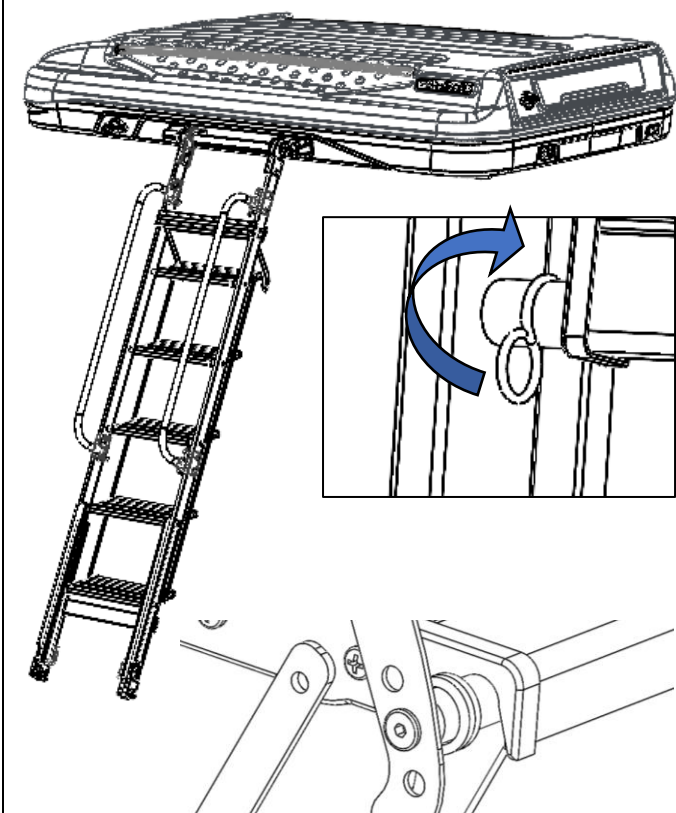
STORAGE



SETTING UP THE LADDER



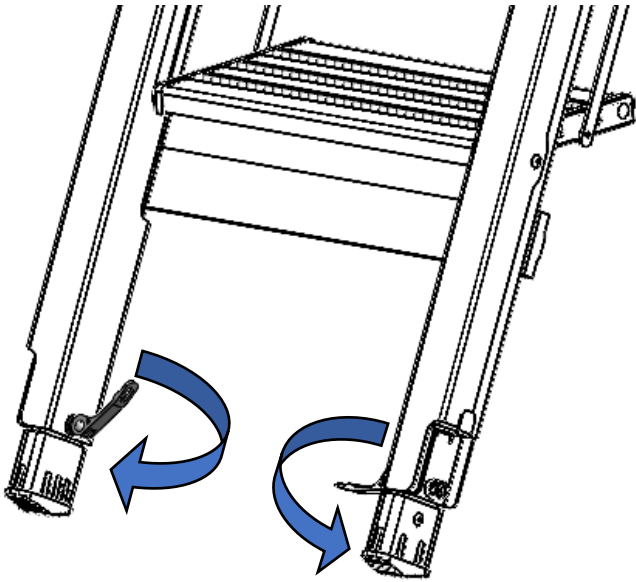
1. Push the ladder handrails upwards and open outwards, allowing them to spring down to lock the handles once opened



2. Choose a stable and level surface to place the ladder and hook it on to the ladder rail by resting the hooks on the rail and rotating the ladder upwards until the hooks drop onto the rail. Rotate the ladder back down.
3. Unclip the two step holding clips which are located on the top most step of the ladder and push both the bar and steps until the bar locates into the recess of the top step.

Make sure to check all parts of ladder are correctly positioned prior to using.

4. Unlock the clamps to extend the ladder until the legs reach the ground.



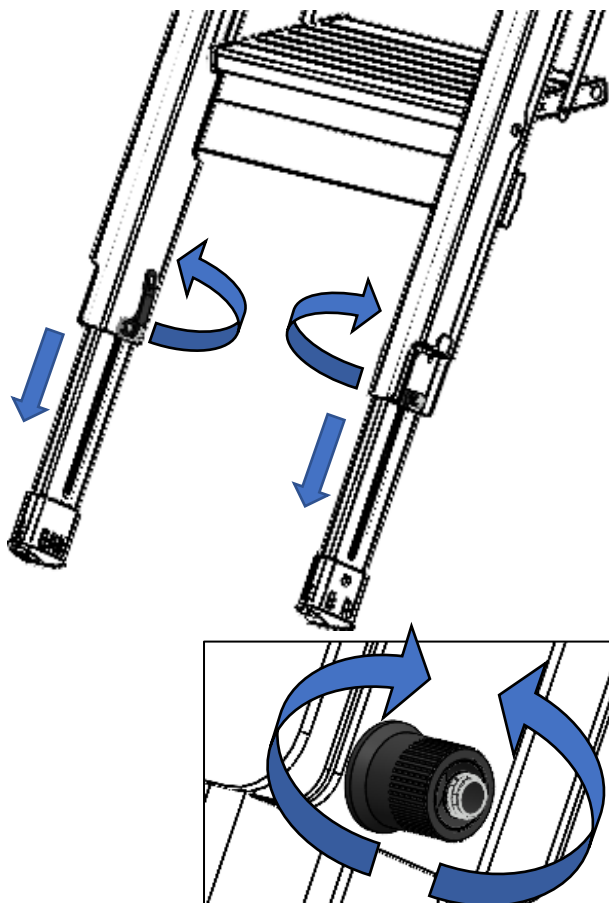
5. Once extended the desired amount, lock the extension legs with the locking mechanism. Adjust the locking nut to increase or to decrease the locking force. Ensure they are securely locked.

Note:-

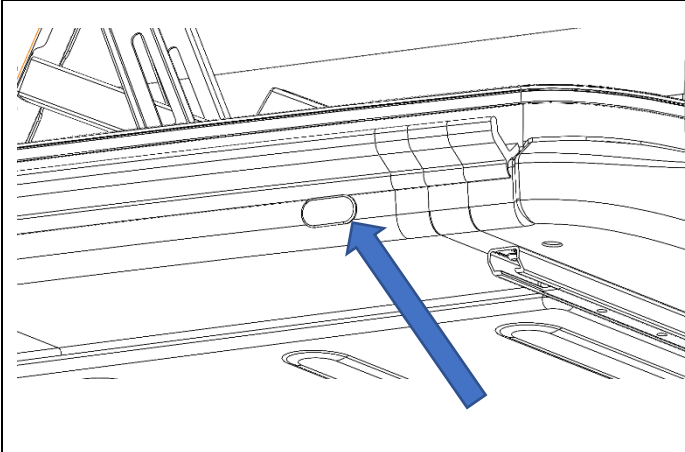
Check the ladder extended feet are firmly planted on the ground and the ladder is stable.

Ensure ladder leg adjustment clamps are adjusted and tested to be suitable to the occupant's weight before ascending the ladder and the ladder is set stably at the top and to the ground

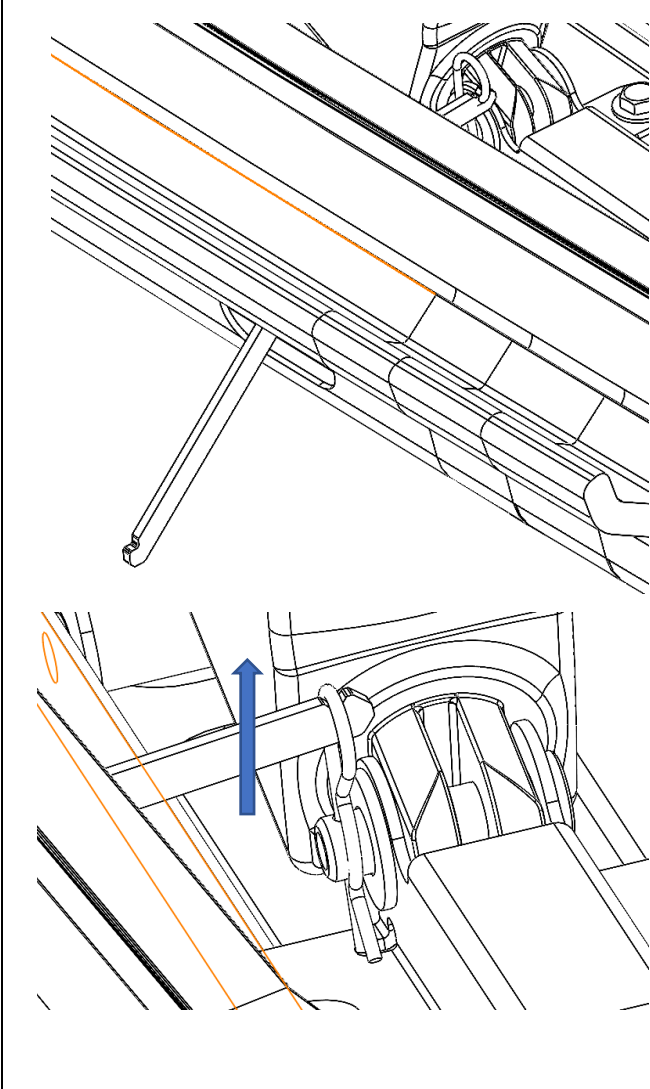
DO NOT exceed the maximum weight capacity specified on the ladder.



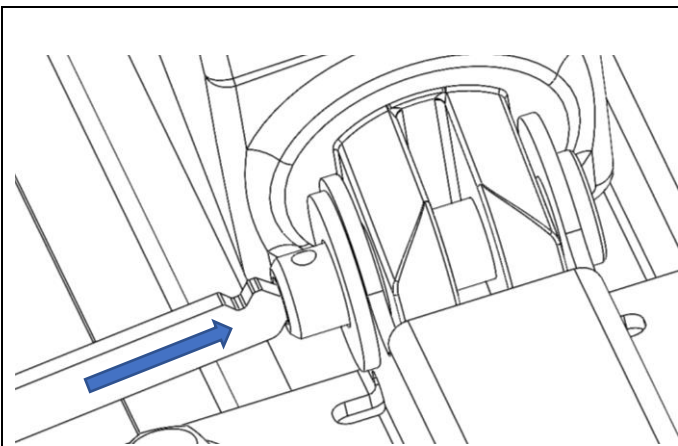
MANUAL OPENING IN EVENT OF POWER FAILURE



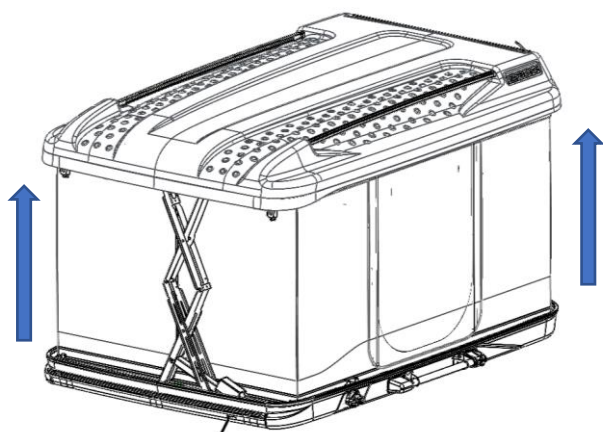
1. Remove the oblong grommet from Front and Rear of Tent



2. Using tool provided in the hardware mount kit, remove R-Clip from pin holding the actuator shaft on the scissor lift mechanism.



3. Again using tool, push pin out of actuator assembly. This will completely disengage the actuator motor push rod.
4. Repeat at other end of tent.



5. With assistance (or lifting device), carefully lift Upper Shell.

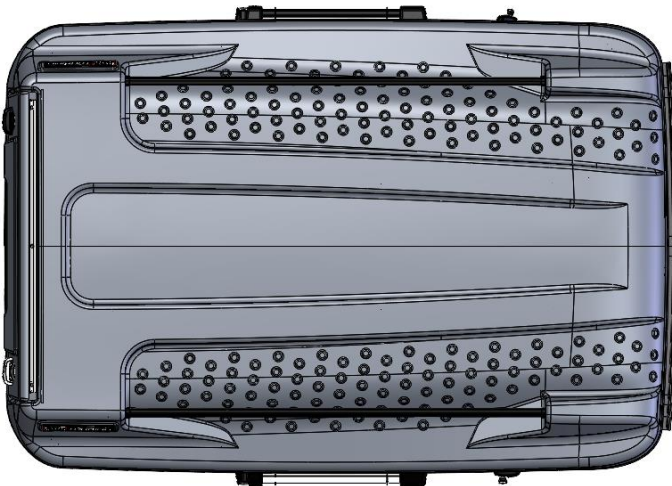
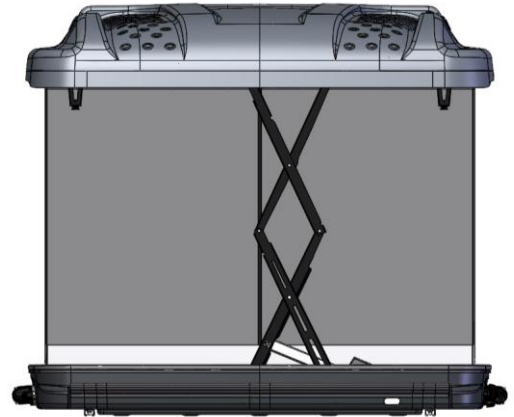
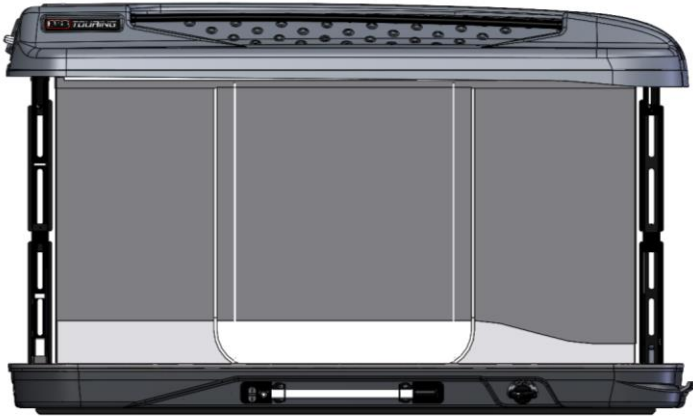
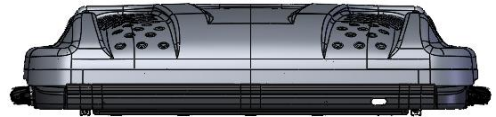
Note:
Caution should be used as the Upper Shell is fully unsupported. Entry is not recommended until the Upper Shell is fully stabilized, propped up solidly and open to full height.

RETURN TO ARB DEALER AS SOON AS PRACTICABLE FOR INSPECTION AND REPAIR

TROUBLESHOOTING

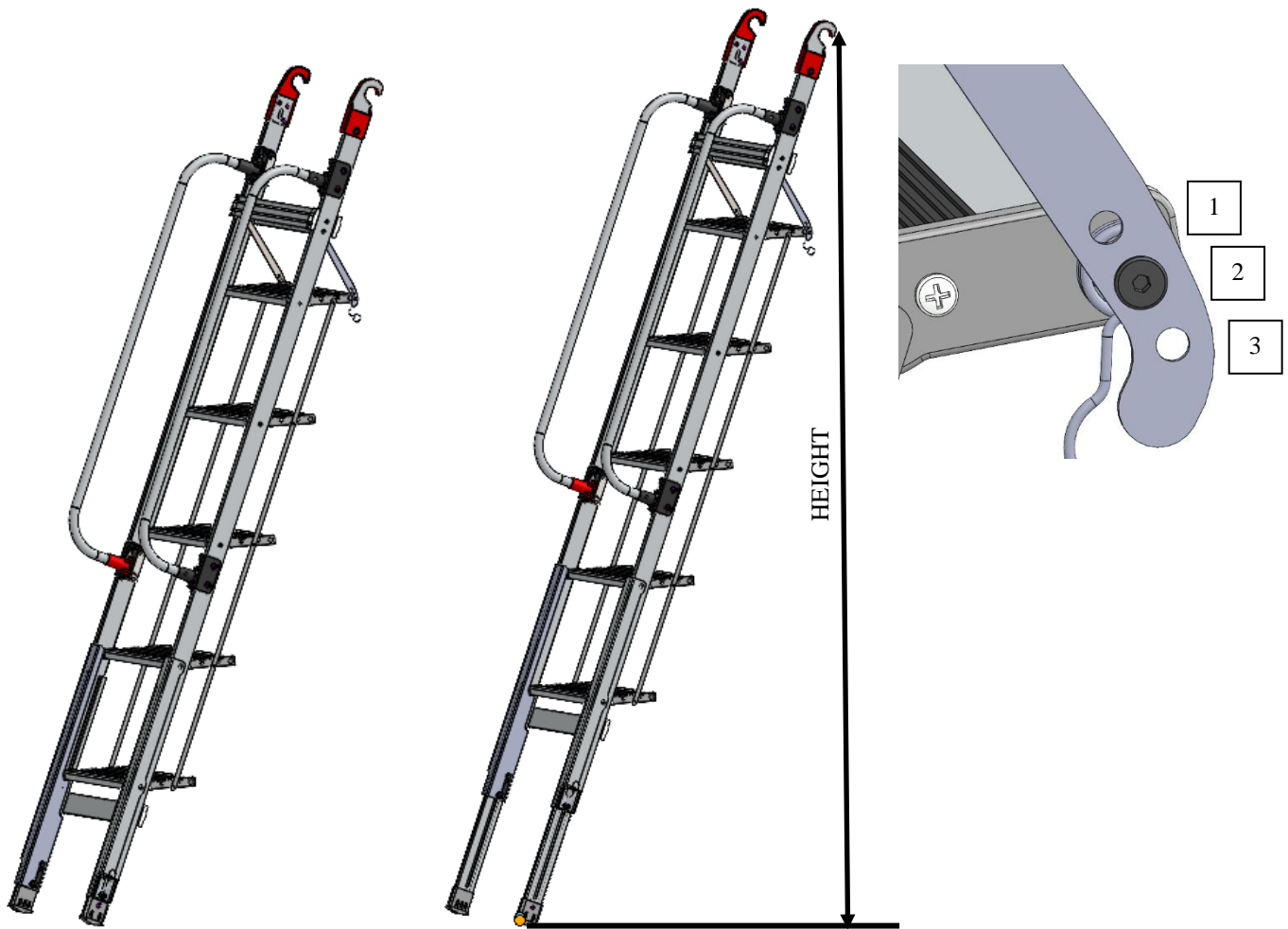
No Power	Check power lead coming into Tent. Check fuse at rear of tent (Behind Anderson Plug)
Starts to lift then stops.	Check less than 20kg load on roof of Tent a attached to the roof bars. <ul style="list-style-type: none"> • Remove load and try again If still stopping, reset actuation • Press and hold up button for 10 seconds to start motion and continue to hold until tent is all the way up (each end will stop when it reaches end of travel.) • Press Down Button and it should work normally
Starts to go down then stops	Reset Actuation <ul style="list-style-type: none"> • Press and hold up button for 10 seconds to start motion and continue to hold until tent is all the way up (each end will stop when it reaches end of travel.) • Press Down Button and it should work normally
Raising without power	Refer to “Manual Opening Without Power” section Note: Caution should be used as the Upper Shell is fully unsupported. Entry is not recommended until the Upper Shell is fully stabilized, propped up solidly and open to full height.
Lowering without power	With the Upper tent fully supported so there is no weight on the scissor system, <ol style="list-style-type: none"> 1. Remove the R-Clips at both ends of the tent. 2. Remove the Pins at rear ends of both actuators. 3. Carefully and with appropriate assistance, lower the Upper Shell until the Tent is fully closed.
No Internal Power	Check power coming into Tent from Anderson Lead On the inside of the tent, on the canvas electrical bag, turn on the Red Switch so RED light comes on and press “UP” Button on the outside of the Tent. This should enable power to all interior features. Check Fuse at rear of Tent (25A - Inside Lower Shell next to Anderson Plug)

DIMENSIONS



ALTITUDE RTT DIMENSIONS

		LENGTH (mm)	WIDTH (mm)	HEIGHT (mm)
EXTERNAL	OPEN	2254	1610	1337
	CLOSED	2254	1610	370
	ROOF BAR GAP		1085	
	MOUNTING C-CHANNEL CENTRES		1110	
INTERNAL	FROM TOP OF MATTRESS	1875	1372	1055
	TOP OF MATTRESS TO VAULT			1175



LADDER HEIGHT

	AS SUPPLIED (mm)		WITH OPTIONAL EXTENSION (mm)	
	Legs Shortened	Legs Extended	Legs Shortened	Legs Extended
1st Position	1800	2000	2275	2325
2nd Position	1875	2090	2375	2425
3rd Position	1950	2175	2475	2525

POWER

12v DC INPUT

Fuse 25A (Inside Lower Shell next to Anderson Plug)

CONSUMPTION

ACTUATORS 5 – 20A (Pair) whilst running

INTERIOR LIGHT 0.6A

EXTERIOR LIGHT 0.3A

FAN 1A

WEIGHT

107kg

ROOF BAR LOAD

20kg (inclusive of mounting hardware)

ACCESSORIES

804500	SOLAR PANEL KIT
804510	AWNING KIT
804520	LADDER EXTENSION KIT
804550	BLADE BRKT KIT – SUITS TOYOTA LANDCRUISER LC300
804551	BLADE BRKT KIT – SUITS NISSAN PARTOL Y62
	THULE CROSS BAR KIT (TO MOUNT TO ROOF BARS OF ALTITUDE RTT)